

Keep this  
manual onboard!



**SLEIPNER**  
Ocean born. Tech bred.

# User Manual

*Including Installation For Control Panels*  
**8950G, 8955G, 8960, 8965, 8940, 8909C**



**8950 G**



**8960**



**8940**



**8955 G**



**8965**



**8909C**

DOCUMENT ID: **3023**

REVISION: **I3**

DATE: **2025**

LANGUAGE: **EN**

**UM**  
**I3**

## Contents

Warning and Safety.....	3
General Operation and Precautions Guidelines.....	3
User Manual	
User Operation.....	4
Panel Layout & Functions.....	6
Installation Manual	
Responsibility of the Installer.....	8
Dimensions .....	9
Control Panel Installation.....	11
Visual Wiring Diagram.....	12
Sleipner Group waste disposal and recycling guide.....	14
<b>Service and Support.....</b>	<b>15</b>
<b>Product Spare Parts and Additional Resources.....</b>	<b>15</b>
<b>Warranty statement.....</b>	<b>15</b>
<b>Patents.....</b>	<b>15</b>

## Warnings and Safety

MC\_0800a5

It is essential to follow all instructions within this document to avoid potential personal injury, death, or damage to existing products in the vessel, the vessel's hull integrity, and including this product during installation or operation. Failure to follow instructions within this document will render all warranties given by Sleipner Motor as VOID.

Warnings and situations requiring extra caution are outlined in the documentation. Take extra consideration when warnings are outlined.



### WARNING

Indicate a potentially hazardous situation that, if not avoided, could result in death or severe injury.



### CAUTION

Indicates a potentially hazardous situation that could result in minor or moderate injury or critical damage to vessel integrity if not avoided.

## General Operation Consideration and Precaution Guidelines

MC\_0444a5

### For the operation of Sleipner thrusters systems:

MC\_0418a5

- When not in use or when leaving the boat, turn the control device off.
- When leaving the boat, always turn off the main power switch for the thruster.
- Never run the thruster while out of water.
- Stop running the thruster and turn it off if the thruster stops giving thrust while running. Running the thruster for more than a few seconds without resistance from the propeller can cause severe damage to the thruster drive components.
- The thruster will not run if two conflicting directions are input in two control panels simultaneously.
- If you notice any faults with the thruster, switch it off to avoid further damage.
- The purpose of the thruster is to manoeuvre or dock the vessel. Forward or reverse speed must not exceed 4 knots when operated.



### WARNING

Never use thrusters close to objects, persons, or animals in the water. The thruster will draw objects into the tunnel, as well as the rotating propellers. Contact with the rotating propellers will cause severe injuries and damage to the thruster.

Turn off the main power switch before touching any part of the thruster. An incidental start while touching moving parts can cause serious injuries.

Always plan on how to avoid damage to persons or other objects if the thruster stops giving thrust for while manoeuvring.

The following is an operation guide to ALL Sleipner control products. Ensure to familiarise yourself with the functionality and operation of your specific control device.



## WARNING

Take time to practice operation in open water to become familiar with the thruster and to avoid damages to your boat or people.

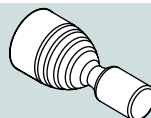
### General operation

1. Turn on the main power switch for the bow thruster. **(NB: Always turn off the main power switch when not on-board.)**
2. Turn on the control panel by pushing the/ both "ON" button(s) on the original Sleipner panel simultaneously.  
Turn off the control panel by pushing the "OFF" button
3. To turn the bow/ stern in the desired direction:



#### Button control panels

For button control, push the button in the corresponding direction you wish the bow/ stern to move.



#### Joystick control panels

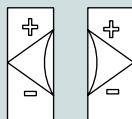
For joystick control, move the joystick in the direction you wish the bow/ stern to move.

**(NB: If equipped for proportional control move the joystick equivalent to the amount of thrust you intend to receive.)**

For other controls like foot switches or toggle-switches please refer to that products user manual for detailed operational use.

### Hold functionality

If equipped with 'hold' functionality push the button in the corresponding direction you wish the thrusters to engage a holding pattern:



#### Hold Button

+ or -

Will increase or decrease the holding force output of the thrusters

## Operating a combined bow and stern thruster

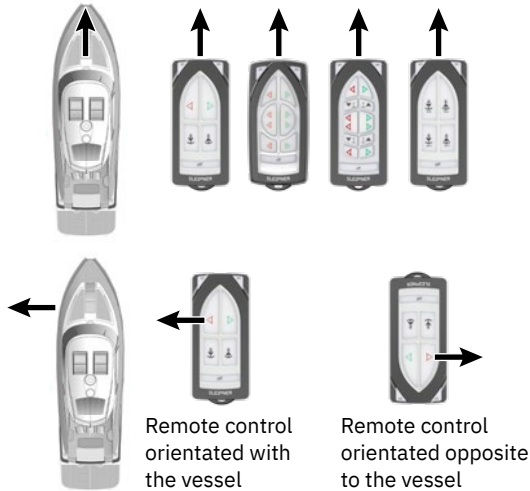
The combination of a bow and stern thruster offers total manoeuvrability to move the bow and the stern separately from each other or in unison. This enables the boat to move sideways in both directions or turn the boat around a 360° axis while staying stationary.

## Remote controls



### CAUTION

The remote control design reflects the vessel for orientation guidance. Be aware of the remote control orientation during operation.



## Drift

Depending on the sideways speed of the bow/ stern, you must disengage the control device shortly before the vessel is in the desired position.

**(NB: Be aware the boat will continue to move after disengaging the thruster control.)**



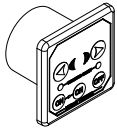
### CAUTION

At any significant cruising speed (+1-2 kn) the side thruster will have little effect to steer the vessel.

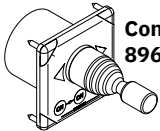
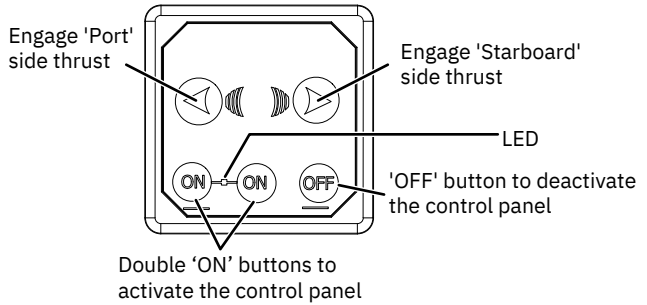
# Smart Shut-Off

To avoid unintentional thruster operation, Sleipner control panels are programmed to shut-off automatically after approximately 6 minutes of inactivity.

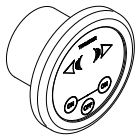
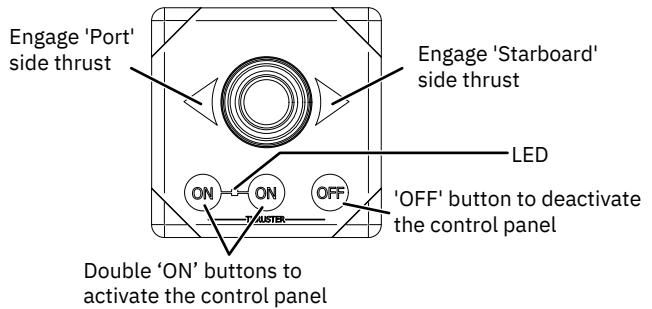
# Panel Layout & Functions



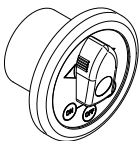
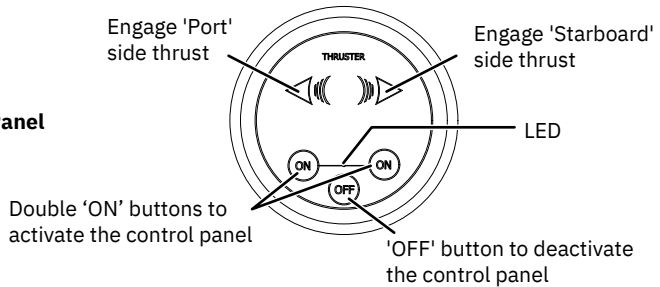
**Control Panel 8950**



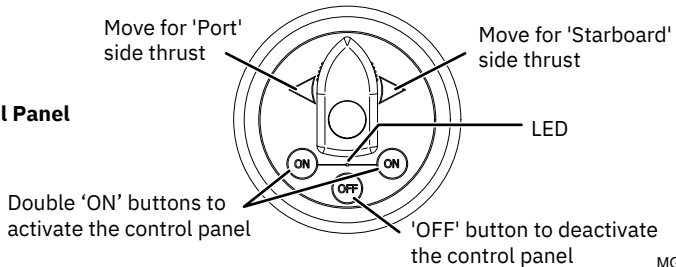
**Control Panel 8960**



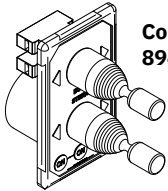
**Control Panel 8955**



**Control Panel 8965**



# Panel Layout & Functions



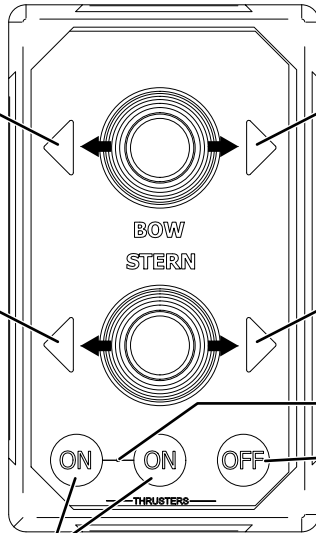
**Control Panel 8940**

Move joystick for 'Port' bow side thrust

Move joystick for 'Starboard' bow side thrust

Move joystick for 'Port' stern side thrust

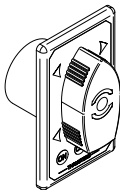
Move joystick for 'Starboard' stern side thrust



LED

'OFF' button to deactivate the control panel

Double 'ON' buttons to activate the control panel



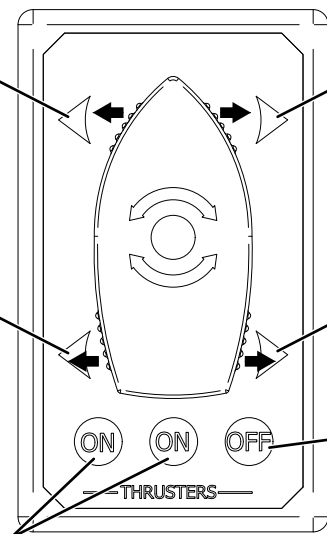
**Control Panel 8909C**

Move joystick for 'Port' bow side thrust

Move joystick for 'Starboard' bow side thrust

Move joystick for 'Port' stern side thrust

Move joystick for 'Starboard' stern side thrust



'OFF' button to deactivate the control panel

Double 'ON' buttons to activate the control panel

## Responsibility of the Installer

MC\_0038a5

### General:

- The installer must read this document to ensure necessary familiarity with the product before installation.
- Directions outlined in this document cannot be guaranteed to comply with all international and national regulations, including but not limited to health and safety procedures. It is the installers responsibility to adhere to all applicable international and national regulations when installing Sleipner products.
- This document contains general installation guidelines intended to support experienced installers. Contact professional installers familiar with the vessel and applicable regulations if assistance is required.
- If local regulation requires any electrical work to be performed by a licensed professional, seek a licensed professional.
- When planning the installation of Sleipner products, ensure easy access to the products for future service and inspection requirements.

### For Sleipner Control systems:

MC\_0356a5

- These panels will only work with Side-Power thrusters with a built in electronic control box and a 4/5 lead control cable system.
- Display area are waterproof when installed correctly. ***(NB: Never submerge the entire control panel unit in water as this will damage the product and cause a short-circuit)***



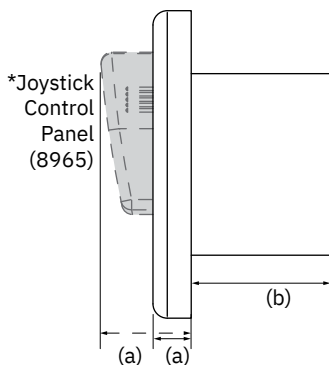
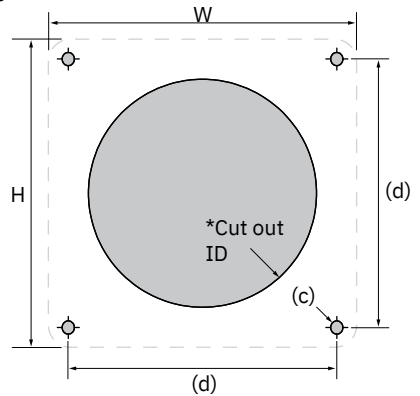
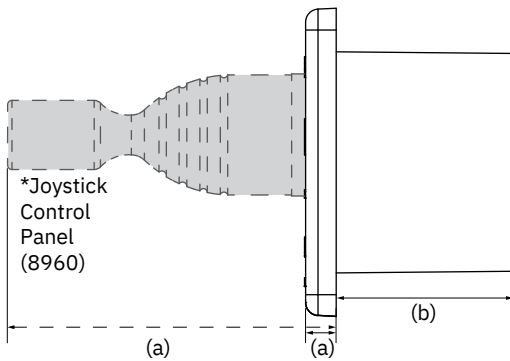
# Dimensions

MC\_0357a5

Measurement code	Measurement description	*8950		*8960		*8955		*8965	
		mm	inch	mm	inch	mm	inch	mm	inch
ID	Internal panel diameter cut out	51.8	2	51.8	2	51.8	2	51.8	2
D	panel diameter	-	-	-	-	86	3.39	86	3.39
H	Panel Height	71	2.8	71	2.8	-	-	-	-
W	Panel width	71	2.8	71	2.8	-	-	-	-
(a)	Raised height above the dashboard	7	0.26	75.3	2.96	10.7	0.42	25.21	1
(b)	Depth behind the dashboard (not inc. cables)	41	1.61	41.4	1.63	39	1.5	39	1.5
(c)	Panel screw hole diameter	3	0.12	3	0.12	2.5	0.10	2.5	0.10
(d)	Distance between panel screw holes	61	2.4	61	2.4	53	2.09	53	2.09

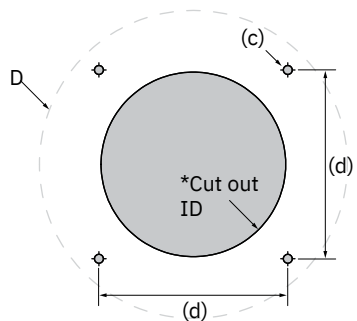
## Models:

**8950  
8960**



## Models:

**8955  
8965**

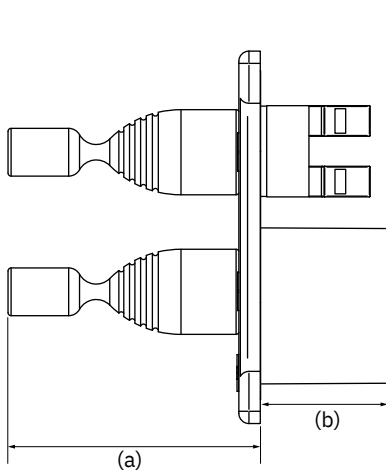


MG\_0395a5

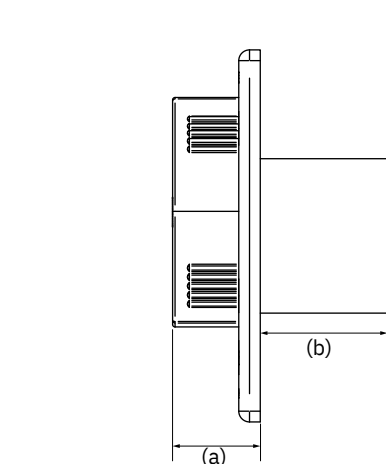
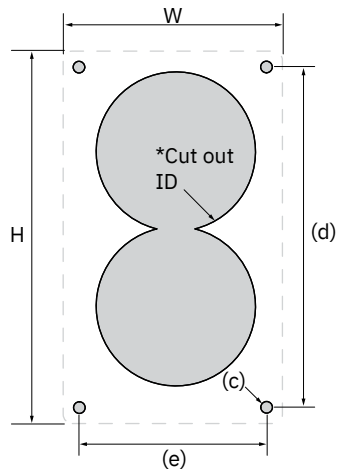
# Dimensions

MC\_0357a5

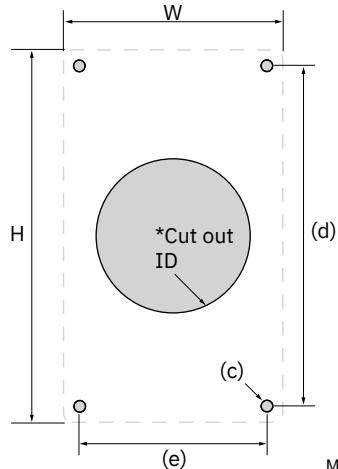
Measurement code	Measurement description	*8940		*8909C	
		mm	inch	mm	inch
ID	Internal panel diameter cut out	52	2.05	52	2.05
H	Panel Height	121.6	4.79	121.2	4.79
W	Panel width	71.6	2.8	72	2.8
(a)	Raised height above the dashboard	82.4	3.2	28.56	1.12
(b)	Depth behind the dashboard (not inc. cables)	41.5	1.63	41.5	1.63
(c)	Panel screw hole diameter	2.5	0.10	2.5	0.10
(d)	Distance between panel screw holes	111.1	4.37	111.1	4.37
(e)	Distance between panel screw holes	61.1	2.4	61.1	2.4



**Models:  
8940**



**Models:  
8909C**

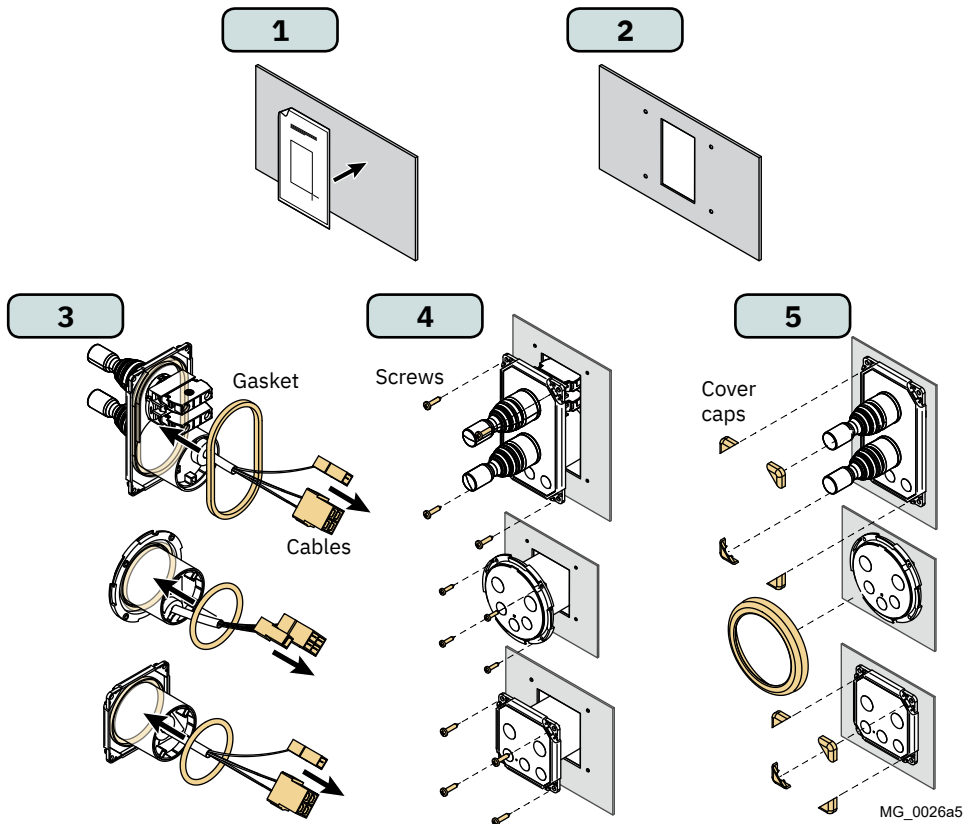


MG\_0396a5

**! Please refer to the graphic for special considerations relating to your model !**

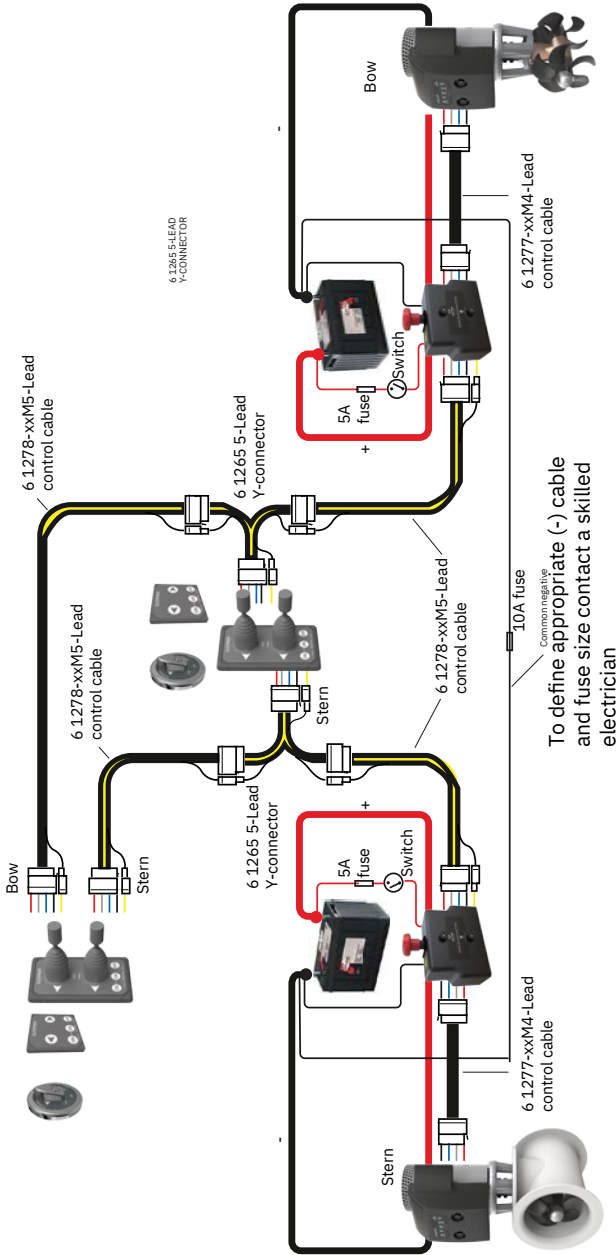
Find a suitable location for the control panel where it does not obstruct or is obstructed by other devices. Install the control panel on a flat surface where it is easy to use.

1. Use the supplied cut-out template to mark the area to remove on your control dash.
2. Cut out the area per template for the control panel. **(NB: If the front surface around your cut out is jagged or chipped, use a sealant to assist the gasket.)**
3. Place the gasket to the back face of the panel and plug cables into the connectors at the rear of the control panel.
4. Insert the control panel in place and fasten screws.
5. Insert the control panels covering caps.



# Visual Wiring Diagram

## With Automatic Main Switch:



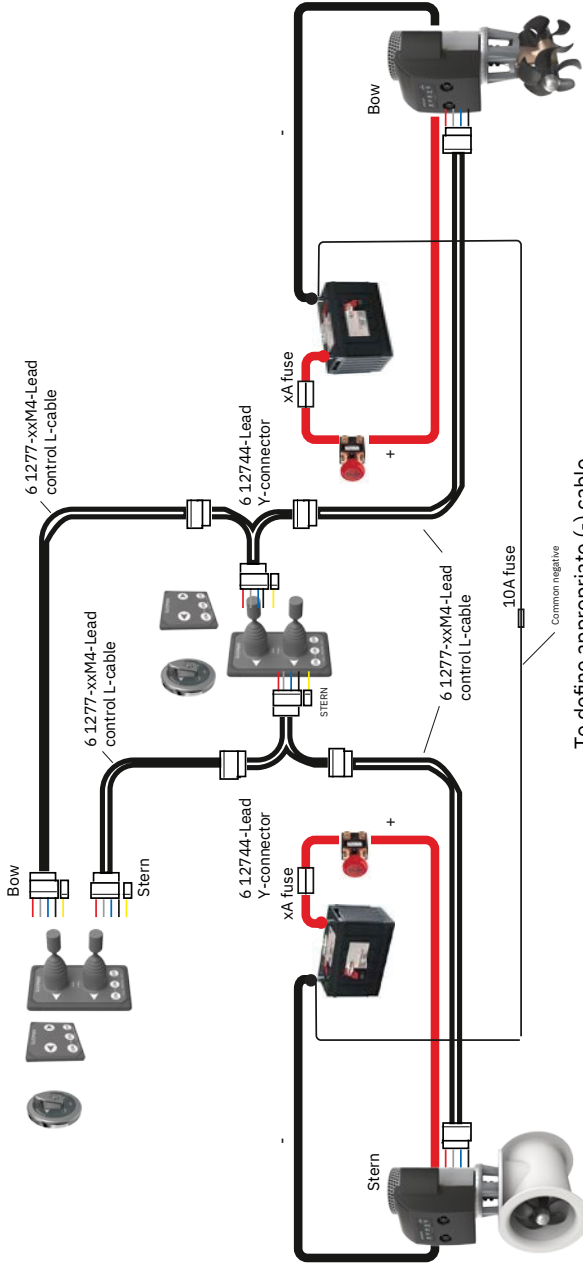
Check the following with the main switch in the off position.

After all electrical connections have been completed check with an ohm meter that there is no electrical connection between electro motor body and positive terminal on the motor and between the electro motor body and the negative (A1) terminal on the motor.

If you feel unsure about how to perform this check, contact skilled personnel for guidance. Common negative MUST be wired when using control panel 8940 and 8909C if separate battery banks are installed. (Bow and Stern thrusters combined)

# Visual Wiring Diagram

## With Manual Main Switch:



### IMPORTANT

Check the following with the main switch in the off position.

After all electrical connections have been completed check with an ohm meter that there is no electrical connection between electro motor body and positive terminal on the motor and between the electro motor body and the negative (A1) terminal on the motor. If you feel unsure about how to perform this check, contact skilled personnel for guidance.

Common negative MUST be wired when using control panel 8940 and 8909C if separate battery banks are installed. (Bow and Stern thrusters combined)

## Introduction:

At Sleipner Group, we prioritize sustainability and encourage the repair and re-manufacturing of products to extend their life cycles. If disposal is necessary, please follow these guidelines to recycle and manage waste responsibly, ensuring our efforts align with environmental protection efforts.

## Electric Motors and Electronics:

- Disconnect from any power sources and dismantle them carefully.
- Recycle components through certified e-waste recycling centers that can adequately handle and recover electronic materials.
- Dispose of any non-recyclable electronic parts according to local environmental regulations.

## Metals:

- Collect and sort metal parts for recycling as scrap metal.
- To increase recycling efficiency, ensure that metals are clean and free from non-metal attachments.

## Plastics:

- Identify recyclable plastics based on local recycling guidelines.
- Remove any non-plastic components and clean them before recycling to improve the quality of the recycled material.

## Hazardous Materials:

- Correctly identify any hazardous substances within components, such as batteries or capacitors etc.
- Follow local regulations for the safe disposal of hazardous materials to prevent pollution and protect environmental health.

## General Disposal Instructions:

- Consult local recycling programs to determine the acceptability of various materials.
- Use authorized disposal services to ensure compliance with environmental standards.

## Safe Disposal Practices:

- Adhere to local laws and regulations for waste management to minimize environmental impact and ensure community safety.

This guide is designed to help reduce our products' environmental footprint through responsible end-of-life management. Please contact your local waste management supplier or our support team for more specific disposal information or further assistance.

## Service and Support

MC\_0024a5

Find your local professional dealer from our certified worldwide network for expert service and support. Visit our website [www.sleipnergroup.com/support](http://www.sleipnergroup.com/support)

## Product Spare Parts and Additional Resources

MC\_0024a5

For additional supporting documentation, we advise you to visit our website [www.sleipnergroup.com](http://www.sleipnergroup.com) and find your Sleipner product.

## Warranty statement

MC\_0024a5

1. Sleipner Motor AS (The "Warrantor") warrants that the equipment (parts, materials and embedded software of products) manufactured by the Warrantor is free from defects in workmanship and materials for the purpose for which the equipment is intended and under normal use and service (the "Warranty").
2. This Warranty is in effect for two years (Leisure Use) or one year (Commercial and other Non-leisure Use) from the date of purchase by the end user (for demonstration vessels, the dealer is deemed as end user).
3. This Warranty is transferable and covers the equipment for the specified warranty period.
4. The warranty does not apply to defects or damages caused by faulty installation or hook-up, abuse or misuse of the equipment including exposure to excessive heat, salt or fresh water spray, or water immersion except for equipment specifically designed as waterproof.
5. In case the equipment seems to be defective, the warranty holder (the "Claimant") must do the following to make a claim:
  - (a) Contact the dealer or service centre where the equipment was purchased and make the claim. Alternatively, the Claimant can make the claim to a dealer or service centre found at [www.sleipnergroup.com](http://www.sleipnergroup.com). The Claimant must present a detailed written statement of the nature and circumstances of the defect, to the best of the Claimant's knowledge, including product identification and serial nbr., the date and place of purchase and the name and address of the installer. Proof of purchase date should be included with the claim, to verify that the warranty period has not expired;
  - (b) Make the equipment available for troubleshooting and repair, with direct and workable access, including dismantling of furnishings or similar, if any, either at the premises of the Warrantor or an authorised service representative approved by the Warrantor. Equipment can only be returned to the Warrantor or an authorised service representative for repair following a pre-approval by the Warrantor's Help Desk and if so, with the Return Authorisation Number visible postage/shipping prepaid and at the expense of the Claimant.
6. Examination and handling of the warranty claim:
  - (a) If upon the Warrantor's or authorised service Representative's examination, the defect is determined to result from defective material or workmanship in the warranty period, the equipment will be repaired or replaced at the Warrantor's option without charge, and returned to the Purchaser at the Warrantor's expense. If, on the other hand, the claim is determined to result from circumstances such as described in section 4 above or a result of wear and tear exceeding that for which the equipment is intended (e.g. commercial use of equipment intended for leisure use), the costs for the troubleshooting and repair shall be borne by the Claimant;
  - (b) No refund of the purchase price will be granted to the Claimant, unless the Warrantor is unable to remedy the defect after having a reasonable number of opportunities to do so. In the event that attempts to remedy the defect have failed, the Claimant may claim a refund of the purchase price, provided that the Claimant submits a statement in writing from a professional boating equipment supplier that the installation instructions of the Installation and Operation Manual have been complied with and that the defect remains.
7. Warranty service shall be performed only by the Warrantor, or an authorised service representative, and any attempt to remedy the defect by anyone else shall render this warranty void.
8. No other warranty is given beyond those described above, implied or otherwise, including any implied warranty of merchantability, fitness for a particular purpose other than the purpose for which the equipment is intended, and any other obligations on the part of the Warrantor or its employees and representatives.
9. There shall be no responsibility or liability whatsoever on the part of the Warrantor or its employees and representatives based on this Warranty for injury to any person or persons, or damage to property, loss of income or profit, or any other incidental, consequential or resulting damage or cost claimed to have been incurred through the use or sale of the equipment, including any possible failure or malfunction of the equipment or damages arising from collision with other vessels or objects.
10. This warranty gives you specific legal rights, and you may also have other rights which vary from country to country.

## Patents

MC\_0024a5

At Sleipner we continually reinvest to develop and offer the latest technology in marine advancements. To see the many unique designs we have patented visit our website [www.sleipnergroup.com/patents](http://www.sleipnergroup.com/patents)

.....  
.....  
.....  
.....  
.....  
.....  
.....  
.....  
.....  
.....  
.....  
.....  
.....  
.....  
.....  
.....  
.....  
.....  
.....  
.....  
.....  
.....  
.....  
.....  
.....  
.....  
.....  
.....  
.....  
.....  
.....  
.....  
.....  
.....  
.....  
.....  
.....  
.....  
.....  
.....  
.....  
.....  
.....



© **Sleipner Motor AS**, All rights reserved

The information given in the document was right at the time it was published. However, Sleipner Motor AS cannot accept liability for any inaccuracies or omissions it may contain. Continuous product improvement may change the product specifications without notice. Therefore, Sleipner Motor AS cannot accept liability for any possible differences between product and document.

**Learn more about our products at**  
**[www.sleipnergroun.com](http://www.sleipnergroun.com)**



**SLEIPNER MOTOR AS**

P.O. Box 519

N-1612 Fredrikstad

Norway

[www.sleipnergroun.com](http://www.sleipnergroun.com)

Made in Norway