



SLEIPNER

Ocean born. Tech bred.



NEW E-series thrusters

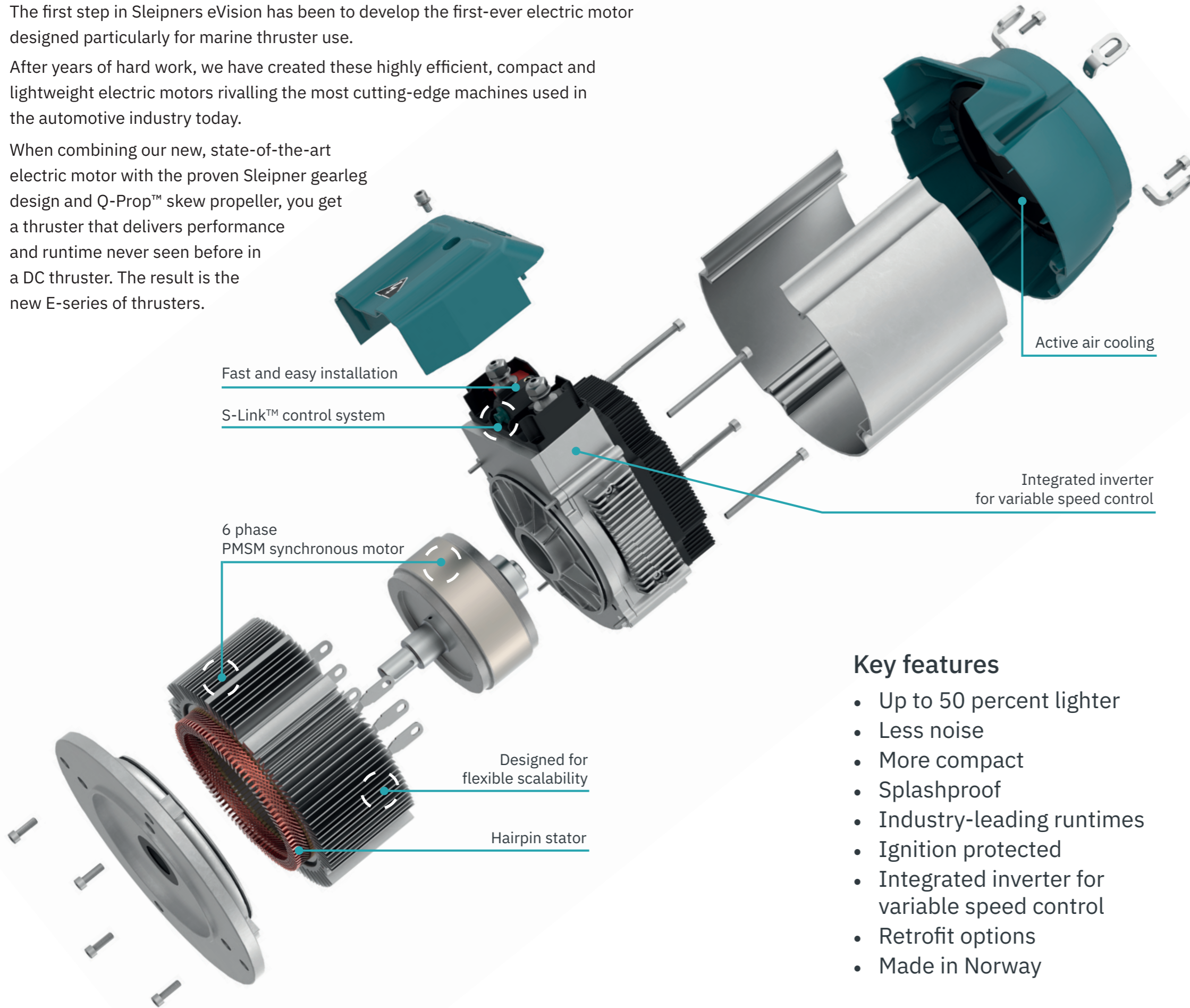
2023

Bettering the world's best thrusters

The first step in Sleipners eVision has been to develop the first-ever electric motor designed particularly for marine thruster use.

After years of hard work, we have created these highly efficient, compact and lightweight electric motors rivalling the most cutting-edge machines used in the automotive industry today.

When combining our new, state-of-the-art electric motor with the proven Sleipner gearleg design and Q-Prop™ skew propeller, you get a thruster that delivers performance and runtime never seen before in a DC thruster. The result is the new E-series of thrusters.

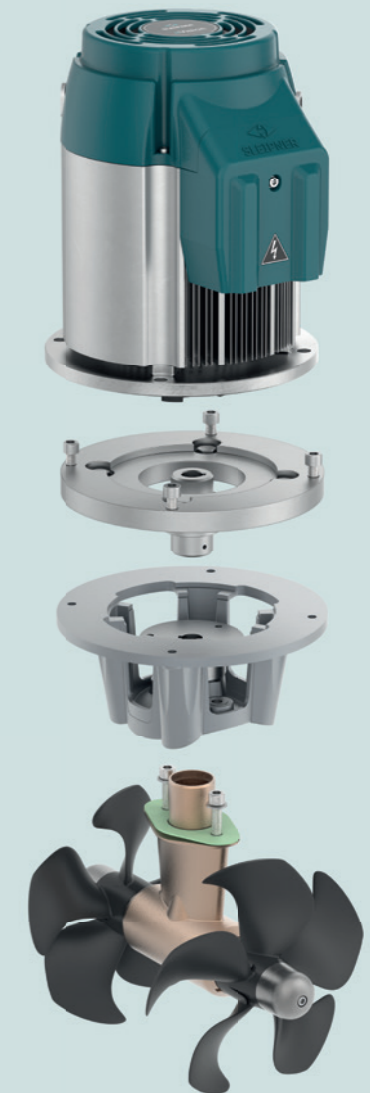


Key features

- Up to 50 percent lighter
- Less noise
- More compact
- Splashproof
- Industry-leading runtimes
- Ignition protected
- Integrated inverter for variable speed control
- Retrofit options
- Made in Norway

The E-series comes with the proven quality and performance of Sleipner's gearleg and propeller design. Sleipner has optimized their design through more than 300.000 thrusters delivered over the last 40 years.

Previous Sleipner thruster models can be upgraded with the new E-series electric motor either directly or by utilizing an adapter plate between the bracket and motor.



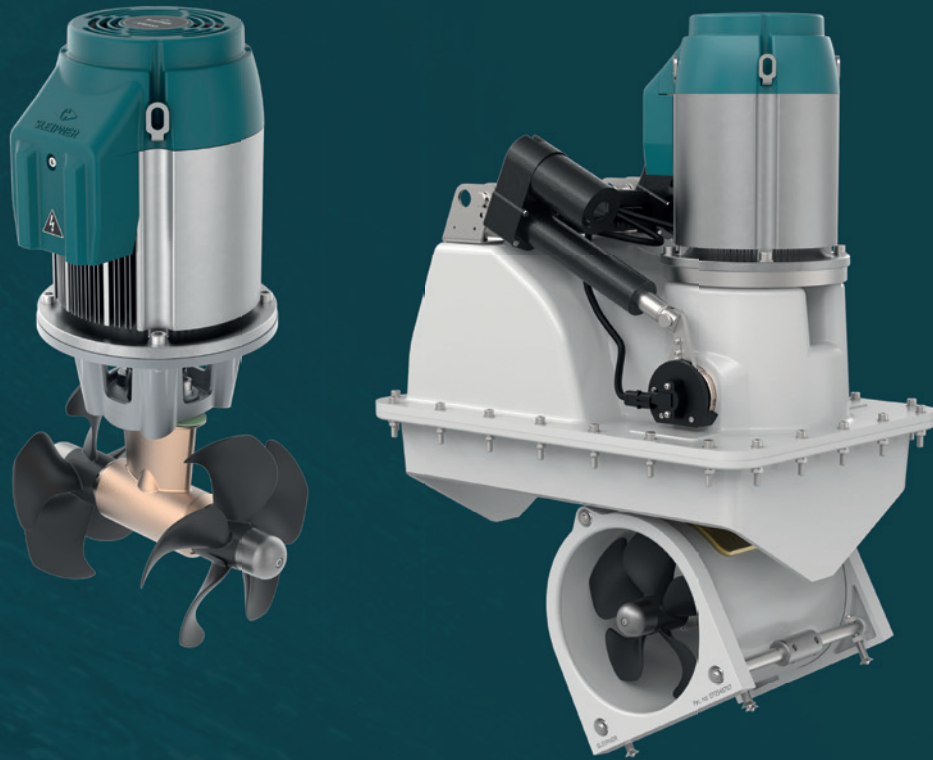
Learn more at
www.sleipnergroupp.com/evision



We create

world-leading technologies that consistently improve safety and comfort at sea and set the benchmark for the boating of tomorrow.

The new E-series bow and stern thrusters



For details and technical specifications, please visit www.sleipnergroup.com

© Sleipner Group

Sleipner Group constantly seek ways of improving specifications, design and production. Thus, alterations take place continuously. While every effort is made to produce up-to-date literature, this folder should not be regarded as a definitive guide to current specifications, nor does it constitute an offer for the sale of any particular product. All images used are for illustrative purposes. Alterations to actual product may occur.